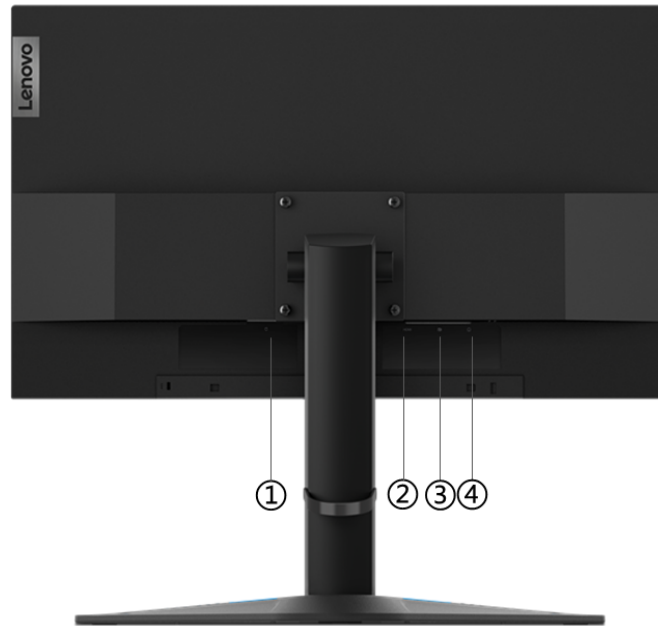


OVERVIEW



1. Power connector	3. DisplayPort 1.2
2. HDMI 2.0	4. Audio line-out (3.5mm)

PERFORMANCE

Panel

Panel

In-Plane Switching (IPS)

Backlight

WLED

Display Size

27 inches

Max View Area

WxH: 596.7 x 335.7 mm

Resolution

2560 x 1440

Aspect Ratio

16:9

Pixel Pitch

0.0777 x 0.2331 mm

Dot / Pixel Per Inch

109 dpi

Brightness

350 cd/m²

Contrast Ratio

- Contrast Ratio: 1000:1
- Dynamic Contrast Ratio (Typical): 3000000:1

View Angle (H / V)

Horizontal: 178°, Vertical: 178°

Response Time

- Moving Picture Response Time (MPRT) improves the response time and reduces motion blur in the monitor. Enabling MPRT will disable AMD FreeSync™™ technology, and may causes a negligible flicker.
- Moving Picture Response Time (MPRT): 1 ms
- Level 1: 7 ms
- Level 2: 6 ms
- Level 3: 5 ms
- Level 4: 4 ms

Refresh Rate

100Hz (Overclock to 110Hz)

Color Gamut

- Coverage Ratio: 99% sRGB
- Color Area Ratio: 111% sRGB

Color Support

16.7 Million

Color Depth

8-bit

Screen Surface Treatment

Anti-glare

Operating System

Operating System

- Windows® 11 Support
- Windows® 10 Support
- Windows® 7 Support

Power Supply

Power Consumption

- Typical / Max: 30W / 38W
- Sleep / Off mode: <0.5W
- Switch-off Mode: <0.3W
- Internal Power Supply

Voltage Required

AC 100 to 240 V (50-60Hz)

Special Features

Special Features

- Processor LUT: 12 bit
- AMD FreeSync™
AMD FreeSync™ technology only can work with AMD Radeon™ series graphics card.
- Lenovo® Artery (Lenovo® Accessories and Display Manager) Support
Lenovo® Artery supports Windows® 10 & 11, Mac OS, and Windows® On Arm (functions vary across systems).
Lenovo® Accessories and Display Manager is formerly Lenovo® Display Control Center.
- Natural Low Blue Light

DESIGN

Mechanical

Bezel Width

- Side: 1.8mm
- Top / Bottom: 1.8mm / 22mm

Cable Management

Support

Case Color

Raven black

Dimensions (WxDxH)^[1]

Models	Dimensions
Highest Position	613.6 x 260.0 x 576.0 mm (24.16 x 10.24 x 22.68 inches)
Lowest Position	613.6 x 260.0 x 445.8 mm (24.16 x 10.24 x 17.55 inches)
Unpacked Head Only	613.6 x 44.0 x 367.6 mm (24.16 x 1.73 x 14.47 inches)

Packaging Dimensions (WxDxH)

840 x 460 x 160 mm (33.07 x 18.11 x 6.30 inches)

Weight^[2]

Models	Weight
Monitor With Stand	6.7 kg (14.7 lbs)
Monitor Head Only	4.4 kg (9.7 lbs)

Packaging Weight

10.1 kg (22.27 lbs)

Mounting

Supports VESA mount 100mm

Stand

Supports -5° to +22° tilt, up to 130mm lift

In the Box

- Monitor with stand
- 1x HDMI® cable (1.8m)
- 1x Power cable (1.8m)
- Quick setup guide
- Warranty booklet

Notes:

[1] The system dimensions may vary depending on configurations.

[2] The system weight is approximate and based on results in Lenovo® lab, which varies depending on the source of component, variance of the distribution of each component, and manufacturing process. It may not be the exact weight for each specific model.

CONNECTIVITY

Ports^[1]

Rear Ports

- 1x HDMI® 2.0
- 1x DisplayPort™ 1.2
- 1x audio-out (3.5mm)

Notes:

[1] The transfer speed of following ports will vary and, depending on many factors, such as the processing speed of the host device, file attributes and other factors related to system configuration and your operating environment, will be slower than theoretical speed.

USB 2.0: 480 Mbit/s;

USB 3.2 Gen 1 (SuperSpeed USB 5Gbps, formerly USB 3.0 / USB 3.1 Gen 1): 5 Gbit/s;

USB 3.2 Gen 2 (SuperSpeed USB 10Gbps, formerly USB 3.1 Gen 2): 10 Gbit/s;

USB4® 20Gbps / USB 3.2 Gen 2x2 (SuperSpeed USB 20Gbps): 20 Gbit/s;

USB4® 40Gbps (USB 40Gbps): 40 Gbit/s;

Thunderbolt™ 3/4: 40 Gbit/s.

SECURITY & PRIVACY

Security

Physical Locks

Kensington® Security Slot™

SERVICE

Warranty

Base Warranty**

- 1-year courier or carry-in service
- 3-year limited warranty

CERTIFICATIONS

Green Certifications^[1]

Green Certifications

RoHS compliant

Notes:

[1] The items listed under the "Green Certifications" section may not only refer to certification but also registration or self-declaration. For ESG & regulatory compliance documents, please visit <https://compliance.lenovo.com>.

Other Certifications

Other Certifications

- Eyesafe® Certified
- TÜV Rheinland® Eye Comfort Certification
- TÜV Rheinland® Low Blue Light (Hardware Solution)

- Feature with ** means that only one option listed under the feature can be configured on selected models.

Please refer to the model configuration for specific information.

- Lenovo reserves the right to change specifications or other product information without notice. Lenovo is not

responsible for photographic or typographical errors. LENOVO PROVIDES THIS PUBLICATION “AS IS,” WITHOUT WARRANTY OF ANY KIND, EITHER EXPRESS OR IMPLIED, INCLUDING THE IMPLIED WARRANTIES OF MERCHANTABILITY OR FITNESS FOR A PARTICULAR PURPOSE. Some jurisdictions do not allow disclaimer of express or implied warranties in certain transactions, therefore this disclaimer may not apply to you.

- The specifications on this page may not be available in all regions, and may be changed or updated without notice.

